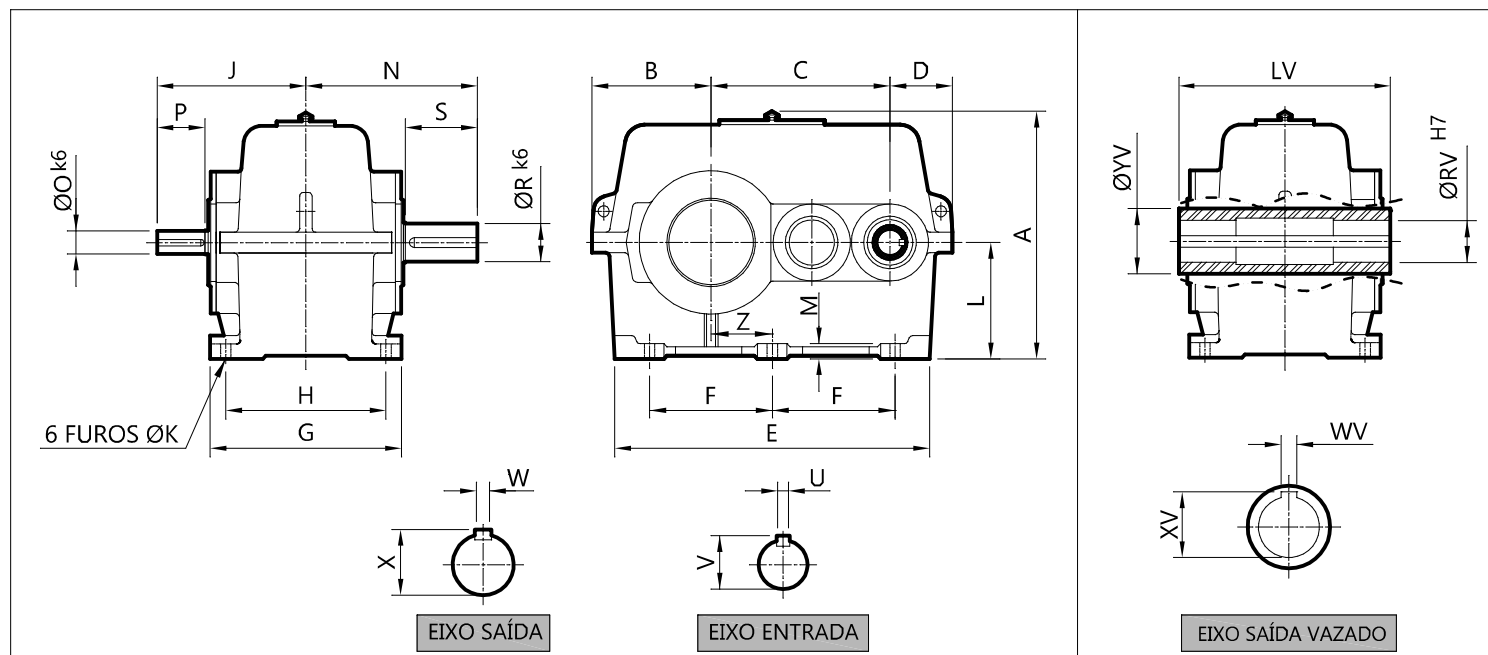


REDUTORES A ENGRENAGENSHELICOIDAIS - LINHA H1000

CAPACIDADES A 1750 RPM NA ENTRADA

TIPO	REDUÇÃO	6,3	7,1	8	9	10	11,2	12,5	14	16	18	20	22,4	25	28	31,5	35,5	40	45
H20	POTÊNCIA (CV)	18.1	15.7	13.6	11.9	10.5	9.1	8.0	7.0	6.0	5.2	4.6	4.0	3.5	3.1	2.7	—	—	—
	RED. EFETIVA	6.3	7.0	8.1	9.1	9.9	11.2	12.7	13.8	15.8	18.2	19.8	23.7	25.7	27.6	30.0	—	—	—
	TORQUE (Kgfm)	45	43	43	42	41	40	40	38	37	37	36	37	35	33	31	—	—	—
H21	POTÊNCIA (CV)	42.4	35.8	30.2	25.5	22.0	18.7	16.0	13.6	11.2	9.5	8.2	7.0	6.0	5.1	4.3	—	—	—
	RED. EFETIVA	6.5	7.0	7.8	8.8	10.1	11.4	12.8	13.9	16.0	18.4	20.0	23.0	25.0	27.5	30.0	—	—	—
	TORQUE (Kgfm)	108	98	92	88	87	83	80	74	70	68	64.0	63	58	55	50	—	—	—
H22	POTÊNCIA (CV)	72.0	60.4	50.6	42.5	36.4	30.7	26.1	22.1	18.1	15.2	13.0	11.0	9.4	7.9	6.7	—	—	—
	RED. EFETIVA	6.4	7.1	7.9	9.1	10.2	11.8	12.5	14.1	16.2	18.4	20.0	22.9	25.0	27.5	30.0	—	—	—
	TORQUE (Kgfm)	180	167	156	151	145	141	127	122	114	109	101	98	92	85	78	—	—	—
H23	POTÊNCIA (CV)	114.0	95.6	80.1	67.3	57.6	48.8	41.5	35.1	28.8	24.2	20.7	17.5	14.9	12.6	10.6	—	—	—
	RED. EFETIVA	6.3	7.1	8.0	8.6	10.5	11.3	12.7	13.7	15.6	17.9	20.3	22.4	25.4	29.7	33.6	—	—	—
	TORQUE (Kgfm)	280	265	250	226	236	215	206	188	175	169	164	153	148	146	139	—	—	—
H24	POTÊNCIA (CV)	172.4	145.6	122.7	103.2	89.7	76.1	64.8	55.0	45.2	38.1	32.7	27.7	23.6	20.0	16.9	—	—	—
	RED. EFETIVA	6.2	7.1	8.0	8.9	10.6	11.9	12.6	14.0	16.1	18.2	21.2	22.1	25.7	26.5	30.8	—	—	—
	TORQUE (Kgfm)	420	406	385	361	371	353	318	300	286	270	270	239	236	208	203	—	—	—
H25	POTÊNCIA (CV)	247.6	212.6	182.6	155.2	132.3	112.6	99.1	84.2	69.5	58.7	50.5	42.9	36.6	31.1	26.3	22.1	18.7	15.8
	RED. EFETIVA	6.2	7.1	8.0	8.9	10.5	11.7	12.4	13.8	15.8	18.0	19.6	21.5	23.4	28.1	30.7	35.5	39.2	43.0
	TORQUE (Kgfm)	603	593	573	543	545	517	479	453	428	412	386	360	334	341	315	306	286	265
H26	POTÊNCIA (CV)	347.6	298.7	257.8	222.3	196.1	170.3	147.2	125.3	103.7	87.7	75.6	64.3	55.1	46.9	39.7	33.5	28.3	23.9
	RED. EFETIVA	5.7	6.9	7.5	8.4	10.3	11.5	13.0	14.9	17.1	18.4	21.4	22.2	25.8	28.0	32.5	35.4	43.1	46.7
	TORQUE (Kgfm)	778	809	759	733	793	769	746	728	691	629	631	557	554	512	503	463	476	435
H27	POTÊNCIA (CV)	466.7	406.4	352.8	305.7	273.6	240.1	209.8	180.7	149.7	126.9	109.4	93.3	79.9	68.2	57.8	48.8	41.3	35.0
	RED. EFETIVA	6.1	7.2	8.1	9.2	10.0	11.3	12.2	14.0	16.0	17.6	19.4	22.3	24.6	28.0	30.8	36.0	39.8	45.0
	TORQUE (Kgfm)	1118	1150	1122	1104	1074	1065	1005	987	934	871	828	811	767	745	694	685	641	614
H28	POTÊNCIA (CV)	607.5	537.3	472.3	411.1	367.7	325.7	290.3	250.3	209.7	177.9	153.5	131.0	112.4	95.9	81.4	68.9	58.3	49.4
	RED. EFETIVA	6.2	7.2	8.1	9.2	10.9	12.4	13.4	15.2	17.6	19.3	21.0	23.0	25.0	28.0	30.5	36.1	39.9	45.1
	TORQUE (Kgfm)	1479	1520	1503	1485	1574	1586	1528	1494	1439	1338	1257	1175	1096	1047	968	970	907	869
H29	POTÊNCIA (CV)	805.4	707.0	616.5	541.5	486.5	427.6	382.5	333.2	288.1	244.7	211.5	—	155.3	132.7	112.7	95.5	81.0	68.8
	RED. EFETIVA	6.2	7.1	7.6	8.3	10.4	11.4	12.9	14.1	16.3	17.8	21.4	—	25.8	27.0	32.5	36.1	41.0	45.5
	TORQUE (Kgfm)	1961	1972	1840	1765	1987	1915	1938	1840	1831	1699	1765	—	1560	1397	1428	1344	1295	1221



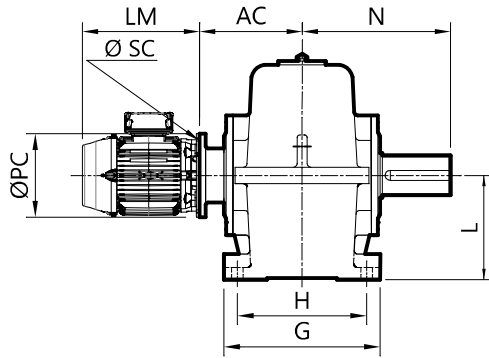
TIPO	A	B	C	D	E	F	G	H	J	ØK	L	M	N	ØO	P	ØR	S	U	V	W	X	Z	LV	RV	WV	XV	YV	PESO
H20	215	122	171	72	313	115	174	150	135	13	102	16	162	18	40	38	65	6	20,5	10	41	65	197	25	8	28,3	40	48
H21	260	133	192	81	358	139	217	180	165	13	130	19	198	22	45	42	80	6	24,5	12	45	69,5	243	30	8	33,3	45	65
H22	301	154	215	93	403	154	240	201	176	13	146	23	218	24	50	48	90	8	27,0	14	51,5	77	254	35	10	38,3	60	92
H23	311	175	240	94	450	170	257	222	185	13	160	30	235	28	50	55	100	8	31,0	16	59	80	276	40	12	43,3	60	110
H24	353	183	272	114	506	189	284	238	215	17	185	30	268	32	65	65	120	10	35,0	18	69	106	303	50	14	53,8	70	152
H25	390	208	305	124	564	212	317	267	235	17	200	33	305	38	70	75	140	10	41,0	20	79,5	109	333	55	16	59,3	80	200
H26	427	240	340	136	620	230	340	275	258	17	205	48	332	42	80	80	155	12	45,0	22	85	125	354	65	18	69,4	90	270
H27	481	274	385	135	685	253	405	345	290	23	234	50	372	48	90	90	170	14	51,5	25	95	125	404	75	20	79,9	100	370
H28	517	303	430	148	765	285	415	364	340	23	250	55	421	50	120	100	200	14	53,5	28	106	137	443	80	22	85,4	110	475
H29	597	330	480	154	867	320	471	405	374	26	293	65	465	60	130	110	220	18	64,0	28	116	152	490	85	22	90,4	120	660

FATOR DE VELOCIDADE FV (POT. EQUIVALENTE = POT. TABELA x FV)	rpm	1500	1200	900	600	300	100
	FV	0.87	0.71	0.60	0.43	0.20	0.10

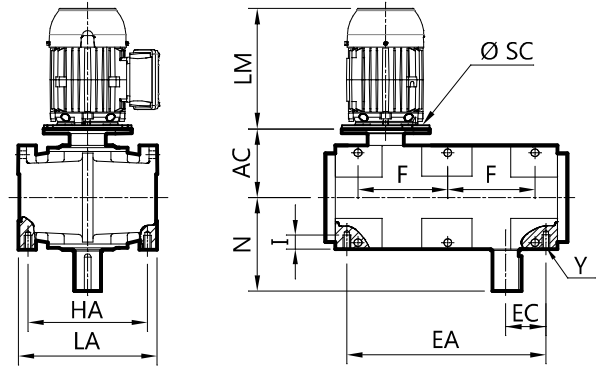
REDUTORES A ENGRENAGENS HELICOIDAIS - LINHA H1000

FLANGE PARA MOTORES

FORMA 1 A 9



FORMAS 10-11-12-13



REDUTOR TIPO	MOTOR		N	FLANGE "A" OU "C-DIN"				FLANGE "F"				FORMAS 10-11-12-13					
	CARÇAÇA	LM		TIPO	AC	PC	SC	TIPO	AC	PC	SC	EA	EC	HA	I	LA	Y
H20	80	285	162	C120-20	137.5	120	7	F165-20	212.5	200	12						
	90	310		C140-20	147.5	140	9	F165-20	212.5	200	12						
	100/112	363		C160-20	140.5	160	9	F215-20	238	250	15						
	132*	435						F265-20	258.5	300	15						
H21	90	310	198	C140-21	162.5	140	9	F165-21	240	200	12						
	100/112	363		C160-21	161.5	160	9	F215-21	262.5	250	15						
	132*	435						F265-21	274.5	300	15						
H22	90	310	218	C140-22	165.5	140	9	F165-22	253.5	200	12						
	100/112	363		C160-22	168.5	160	9	F215-22	275	250	15						
	132*	435		C200-22	204.5	200	11	F265-22	285.5	300	15						
H23	100/112	363	235	C160-23	177.5	160	9	F215-23	271	250	15						
	132	435		C200-23	197.5	200	11	F265-23	293	300	15						
	160*	532						F300-23	346.5	350	19						
	180*	592						F300-23	346.5	350	19						
H24	100/112	363	268	C160-24	181	160	9	F215-24	295	250	15						
	132	435		C200-24	198	200	11	F265-24	319	300	15						
	160	532						F300-24	370	350	19						
	180*	592						F300-24	370	350	19						
H25	100/112	363	305	A215-25	231.5	250	15	F215-25	322.5	250	15	520	151	359	32	400	M16
	132	435		C200-25	231.5	200	11	F265-25	344.5	300	15						
	160	532						F300-25	383.5	350	19						
	180	592						F300-25	383.5	350	19						
H26	132	435	332	C200-26	213.5	200	11	F265-26	369.5	300	15	560	155	350	32	430	M16
	160	532		A300-26	241.5	350	19	F300-26	408.5	350	19						
	180	592		A300-26	241.5	350	19	F300-26	408.5	350	19						
	200*	657		A350-26	250.5	400	19	F350-26	411.5	400	19						
H27	132	435	372	C200-27	257.5	200	11	F265-27	407.5	300	15	622	186	410	38	468	M22
	160	532		A300-27	302.5	350	19	F300-27	438	350	19						
	180	592		A300-27	302.5	350	19	F300-27	438	350	19						
	200*	657		A350-27	292.5	400	19	F350-27	438	400	19						
	225*	746		A400-27	257.5	450	19	F400-27	437.5	450	19						
H28	132	435	421	A265-28	306	300						705	215.5	446	38	500	M22
	160	532		A300-28	306	350	19	F300-28	487	350	19						
	180	592		A300-28	306	350	19	F300-28	487	350	19						
	200*	657		A350-28	293	400	19	F350-28	485	400	19						
	225*	746		A400-28	318	450	19	F400-28	490	450	19						
H29	160	532	465	A300-29	318.5	350	19	F300-29	520	350	19	795	245.5	502	52	586	M22
	180	592		A300-29	318.5	350	19	F300-29	520	350	19						
	200*	657		A350-29	313.5	400	19	F350-29	521.5	400	19						
	225*	746		A400-29	313.5	450	19	F400-29	530.5	450	19						
	250*	825		A500-29	313.5	550	19	F500-29	530.5	550	19						

FORMAS CONSTRUTIVAS

